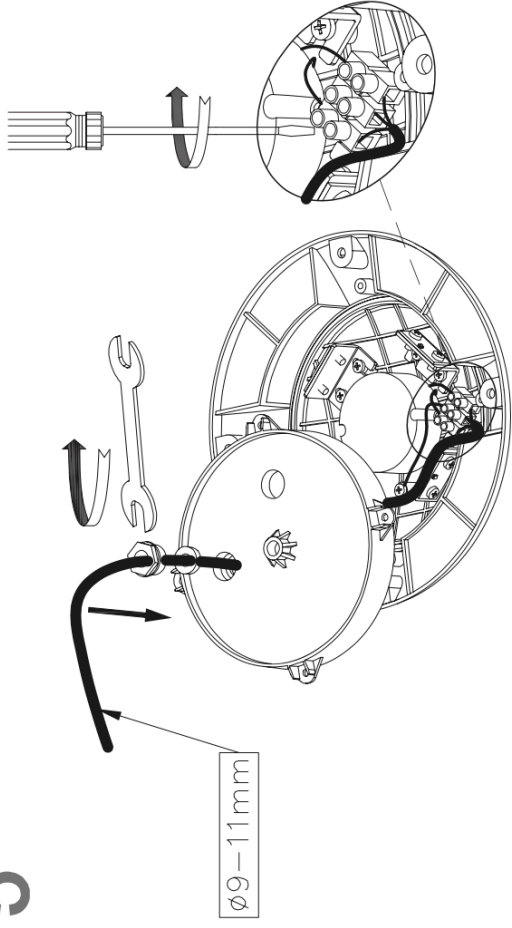
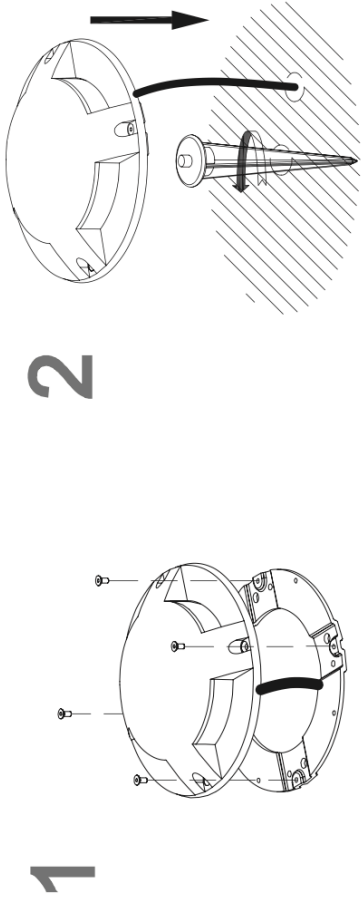


5

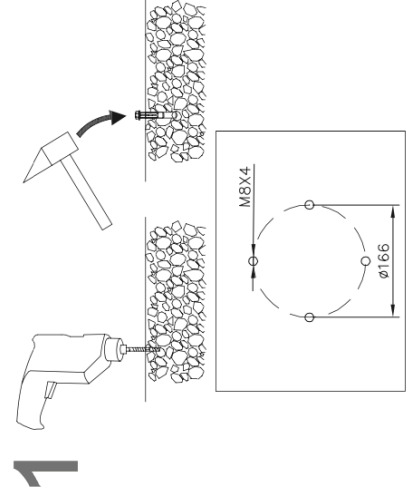


Installation Instructions - Ground Spike Assembly



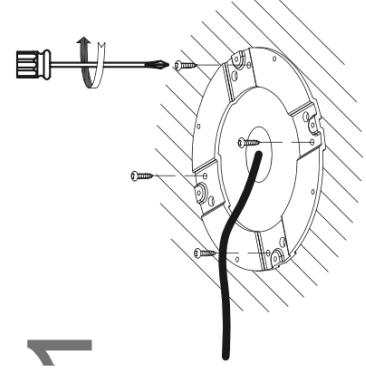
2

Installation Instructions - Solid Concrete Assembly

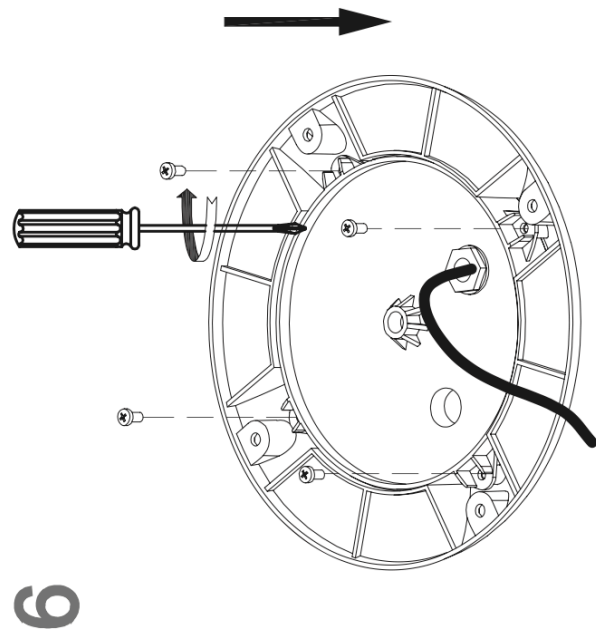


2

Installation Instructions - Wooden Decking Assembly



1



6

This light can be fitted on concrete, wooden decking or by using a ground spike. see the next 2 pages for details how to assemble each option.